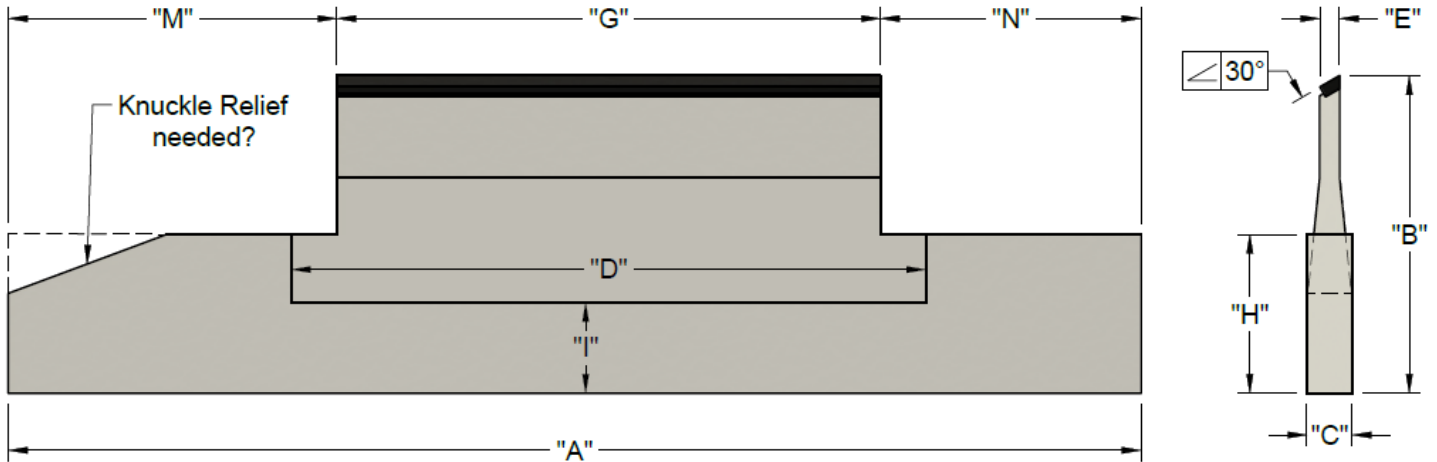

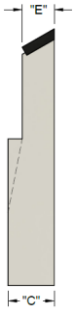
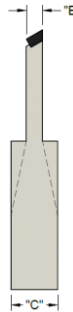


INFEED BLADE
CUSTOM ORDER FORM



BLADE SHAPE / STYLE (check one)

<input type="checkbox"/> SHAPE 1 / STYLE 50	<input type="checkbox"/> SHAPE 2 / STYLE 60	<input type="checkbox"/> SHAPE 3 / STYLE 70
		

WORKREST BLADE DIMENSIONS (SEE ABOVE)	
"A" – Length	
"B" – Height	
"C" – Body Width	
"D" – Pocket Length	
"E" – Tip Width	
"G" – Grind Length	
"H" – Shoulder Height	
"I" – Pocket Breakout	
Rest Top Angle (if not 30°)	

OPTIONAL BLADE DIMENSIONS (SEE ABOVE)	
"M" – (if "G" is not central)	
"N" – (if "G" is not central)	
Knuckle Relief needed? (as shown above)	<input type="checkbox"/> Yes

ADDITIONAL REQUESTS
(e.g. radius pocket, 6% carbide grade, etc.)